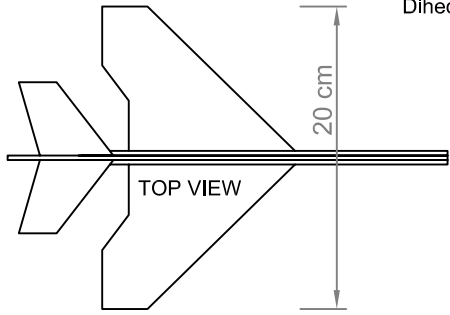


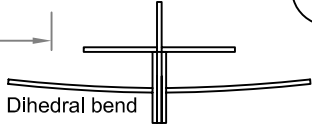
SIDE VIEW

29 cm



TOP VIEW

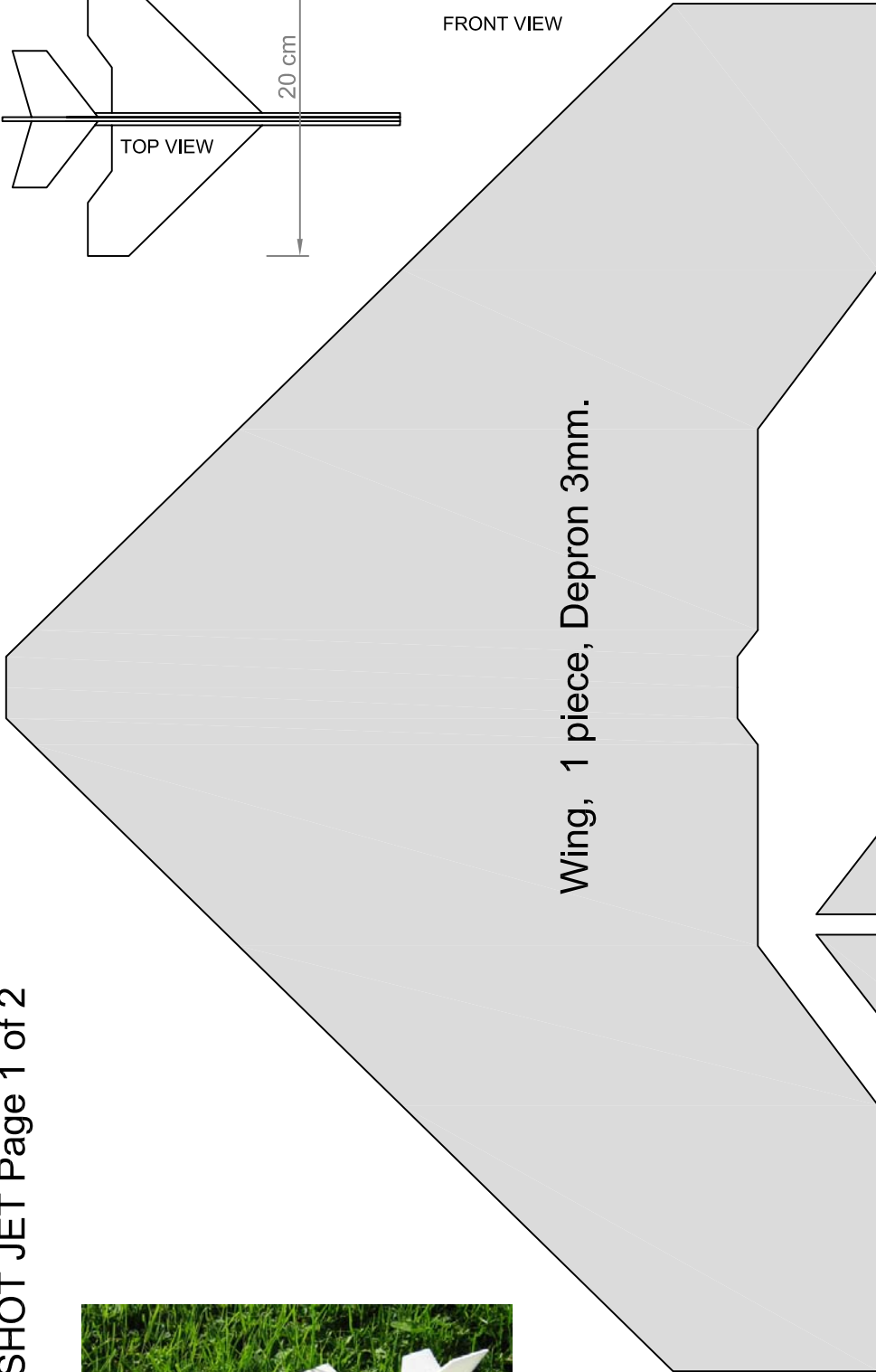
20 cm



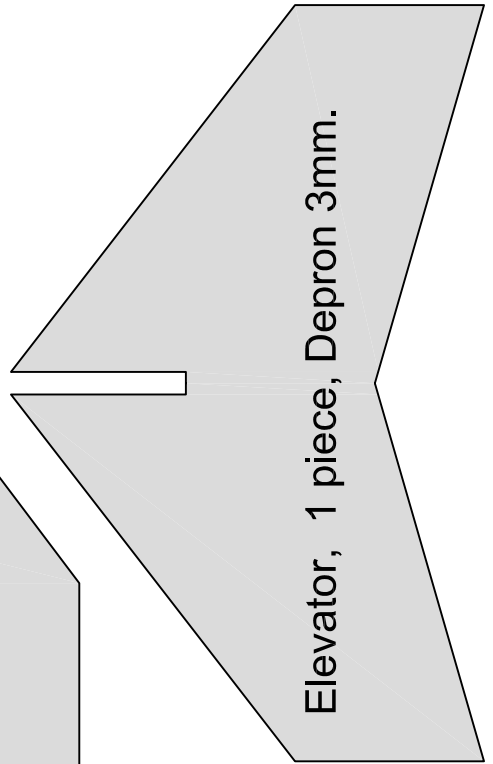
Dihedral bend

FRONT VIEW

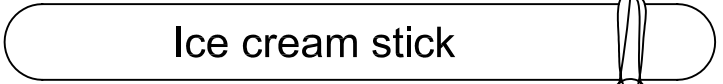
# Model launching slingshot



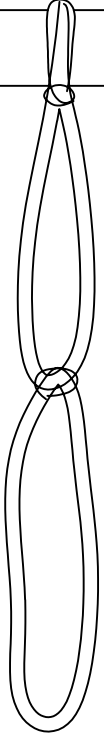
Wing, 1 piece, Depron 3mm.



Elevator, 1 piece, Depron 3mm.



Ice cream stick



2 rubber bands

Toothpick location

Middle fuselage layer, 1 piece, Depron 3mm.

Right fuselage side, 1 piece, Depron 3mm.

Left fuselage side, 1 piece, Depron 3mm.

